

August 21, 2017

## **NEW PRODUCT RELEASE (No. 0236)**

### **RE: DOT & E-MARKED TURN SIGNALS** **(Stock Items)**



Very Bright LED



Very Compact

#### 1. Product Information

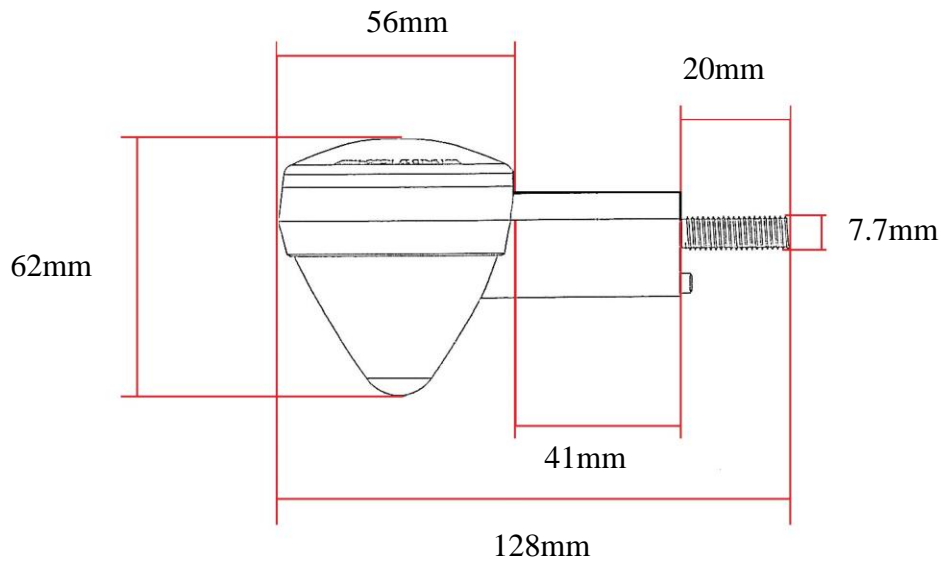
<b>K&amp;S No.</b>	<b>Description</b>
25-9561	DOT & E-MARKED Universal LED Turn Signal, Black & Clear Lens
25-9562	DOT & E-MARKED Universal LED Turn Signal, Black & Smoke Lens
25-9563	DOT & E-MARKED Universal LED Turn Signal, Black & Amber Lens

**MSRP:** \$ 89.95 / pr.

# K&S TECHNOLOGIES, INC.

## Specifications:

1. Lens: Material is PMMA/CM-205 fully sealed and waterproof. This lens is specially designed for most effective light transmission to meet high standard of "DOT" and "E" markings.
2. LED: Single unit, 1w LED Amber less heat creation.
3. Body: ABS/PA-757G is used. Light weight and durable against constant vibration.
4. Weight: Only 2.5Oz (70 grams) per piece. 5 oz. (140 grams) per pair. Gross weight (with designed box) 9.3 oz. (260 grams/ pairs). Size of box, 16cm (w) x 7cm (d) x 16cm (h).
5. Wire length: 13cm plus bullet terminals.
6. Dimensions of Product:



**K&S TECHNOLOGIES, INC.**

